

**Self-Retaining Retractors**

**Wunds preizer**

**Separadores con retenida automática**

**Divaricatori autostatici**



## Self-Retaining Retractors Separadores con retenida automática Divaricatori autostatici Wundspreizer



**FINSEN**

scharf  
sharp  
agudos  
acuti



5.0 cm, 2"  
RMC-1905-05

stumpf  
blunt  
romo  
smusso



5.0 cm, 2"  
RMC-1906-05



7.0 cm, 2 3/4"  
RMC-1905-07

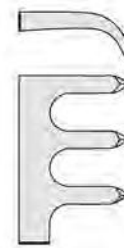


7.0 cm, 2 3/4"  
RMC-1906-07



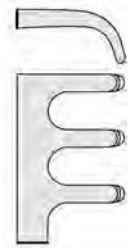
**JANSEN**  
10.0 cm, 4"

scharf  
sharp  
agudos  
acuti



RMC-1907-10

stumpf  
blunt  
romo  
smusso



RMC-1908-10



**ALM**

scharf  
sharp  
agudos  
acuti



7.0 cm, 2 1/4" RMC-1909-07  
10.0 cm, 4" RMC-1909-10

halbscharf  
semi-sharp  
semi-agudos  
semi-acuti



RMC-1910-07  
RMC-1910-10

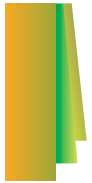
stumpf  
blunt  
romo  
smusso



RMC-1911-07  
RMC-1911-10



**ALLPORT**  
9.5 cm, 3 3/4"  
RMC-1912-09



**Self-Retaining Retractors**  
**Separadores con retenida automática**  
**Divaricatori autostatici**  
**Wundspreizer**



scharf  
sharp  
agudos  
acuti



RMC-1913-14

stumpf  
blunt  
romo  
smusso



RMC-1914-14

**SALP-CONTOUR**  
14.0 cm, 5½"



scharf  
sharp  
agudos  
acuti



RMC-1915-16

stumpf  
blunt  
romo  
smusso



RMC-1916-16

**ADSON-BABY**  
16.0 cm, 6¼"



stumpf  
blunt  
romo  
smusso



RMC-1917-20

scharf  
sharp  
agudos  
acuti



RMC-1918-20

**ANDERSON-ADSON**  
19.0 cm, 8"



scharf  
sharp  
agudos  
acuti



RMC-1919-26

stumpf  
blunt  
romo  
smusso



RMC-1920-26

**ADSON**  
26.5 cm, 10½"



**Self-Retaining Retractors**  
**Separadores con retenida automática**  
**Divaricatori autostatici**  
**Wundspreizer**



**MOLLISON**  
15.5 cm, 6"

scharf  
sharp  
agudos  
acuti



RMC-1921-15



**SCHUHKNECHT**  
12.5 cm, 5"

scharf  
sharp  
agudos  
acuti



RMC-1922-12

stumpf  
blunt  
romo  
smuss



RMC-1923-12



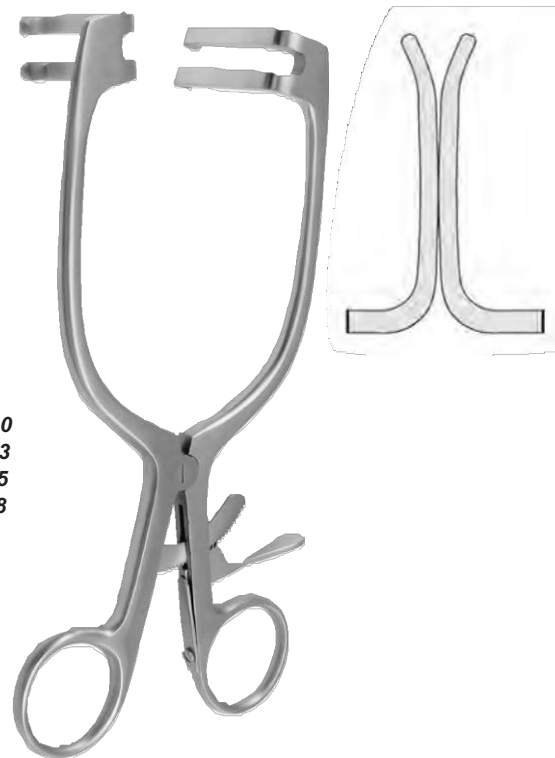
**WULLSTEIN**



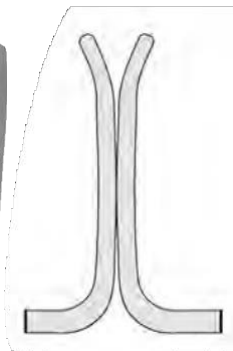
scharf  
sharp  
agudos  
acuti

stumpf  
blunt  
romo  
smusso

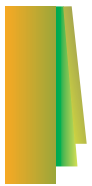
- |                 |             |             |
|-----------------|-------------|-------------|
| 10.5 cm, 4 1/8" | RMC-1924-10 | RMC-1925-10 |
| 13.0 cm, 5"     | RMC-1924-13 | RMC-1925-13 |
| 15.0 cm, 6"     | RMC-1924-15 | RMC-1925-15 |
| 18.0 cm, 7"     | RMC-1924-18 | RMC-1925-18 |



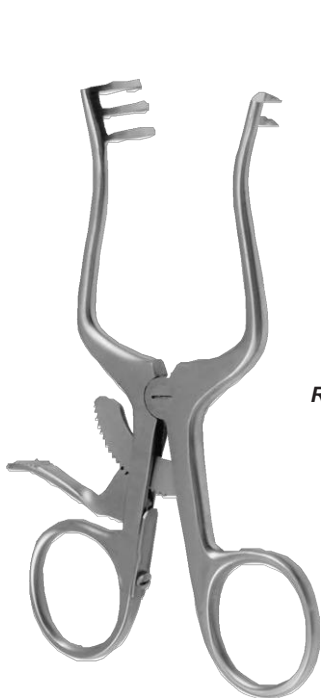
**MAYO-ADAMS**  
16.5 cm, 6 1/2"  
RMC-1926-17







**Self-Retaining Retractors**  
**Separadores con retenida automática**  
**Divaricatori autostatici**  
**Wundspreizer**



scharf  
sharp  
agudos  
acuti



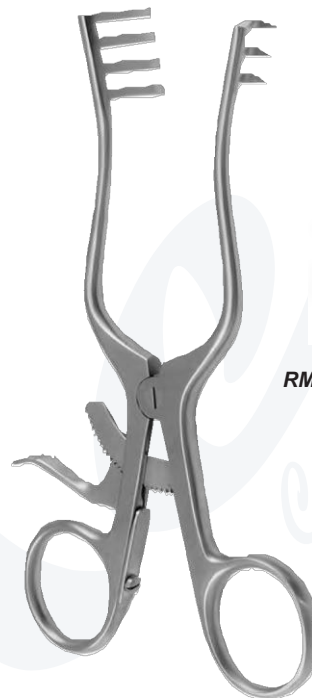
RMC-1927-10

stumpf  
blunt  
romo  
smusso



RMC-1928-10

**WEITLANER-LOKTITE**  
10.5 cm, 4 1/8"



scharf  
sharp  
agudos  
acuti



RMC-1929-13

stumpf  
blunt  
romo  
smusso



RMC-1930-13

**WEITLANER**  
13.0 cm, 5"



scharf  
sharp  
agudos  
acuti



RMC-1931-16

stumpf  
blunt  
romo  
smusso



RMC-1932-16

**WEITLANER**  
16.5 cm, 6 1/2"



scharf  
sharp  
agudos  
acuti



RMC-1933-20

stumpf  
blunt  
romo  
smusso



RMC-1934-20

**WEITLANER**  
20.0 cm, 8"



**Self-Retaining Retractors**  
**Separadores con retenida automática**  
**Divaricatori autostatici**  
**Wundspreizer**



**WEITLANER**  
24.0 cm, 9½"

scharf  
sharp  
agudos  
acuti



**RMC-1935-24**

stumpf  
blunt  
romo  
smusso



**RMC-1936-24**



**PLESTER**  
13.0 cm, 5"

scharf  
sharp  
agudos  
acuti



**RMC-1937-13**

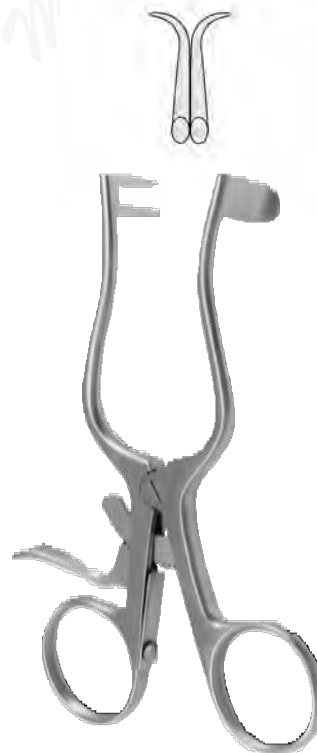
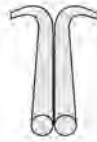
stumpf  
blunt  
romo  
smusso



**RMC-1938-13**



**MILLIGAN**  
13.0 cm, 5"  
**RMC-1939-13**

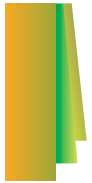


**PLESTER**  
11.0 cm, 4¾"  
**RMC-1940-11**

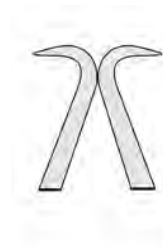


**PLESTER**  
11.0 cm, 4¾"  
**RMC-1941-11**

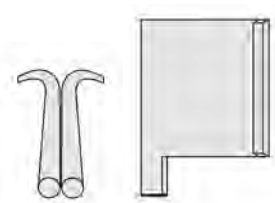




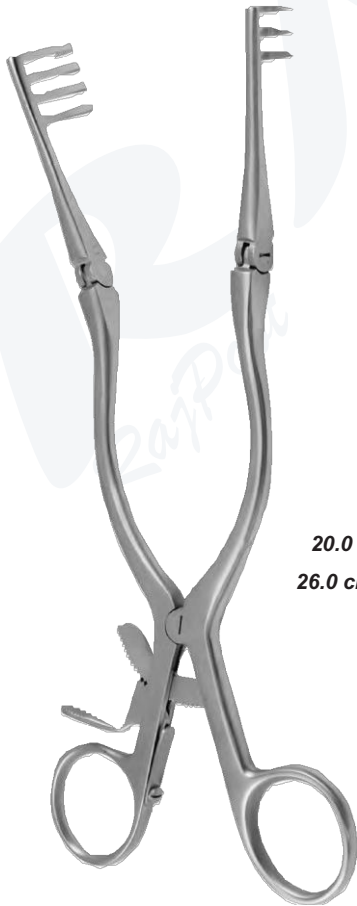
**Self-Retaining Retractors**  
**Separadores con retenida automática**  
**Divaricatori autostatici**  
**Wundspreizer**



**GELPI**  
13.5 cm, 5 1/8"  
RMC-1942-14



**WEITLANER-BABY**  
13.0 cm, 5"  
RMC-1943-13



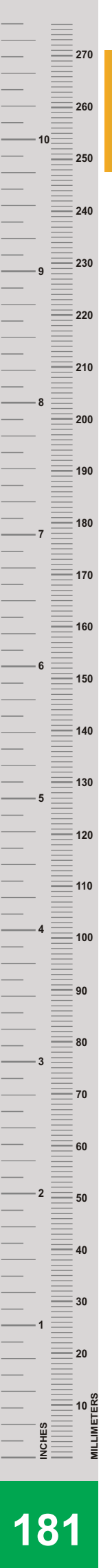
**ADSON  
(CONE)**

**scharf**      **stumpf**  
**sharp**      **blunt**  
**agudos**    **romo**  
**acuti**      **smusso**



20.0 cm, 8"      **RMC-1944-20**      **RMC-1945-20**  
26.0 cm, 10 1/4"      **RMC-1944-26**      **RMC-1945-26**





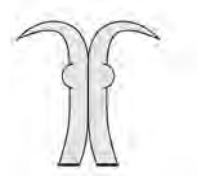
**Self-Retaining Retractors**  
**Separadores con retenida automática**  
**Divaricatori autostatici**  
**Wundspreizer**

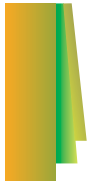


**GELPI**  
 19.0 cm, 7½"  
 RMC-1946-19

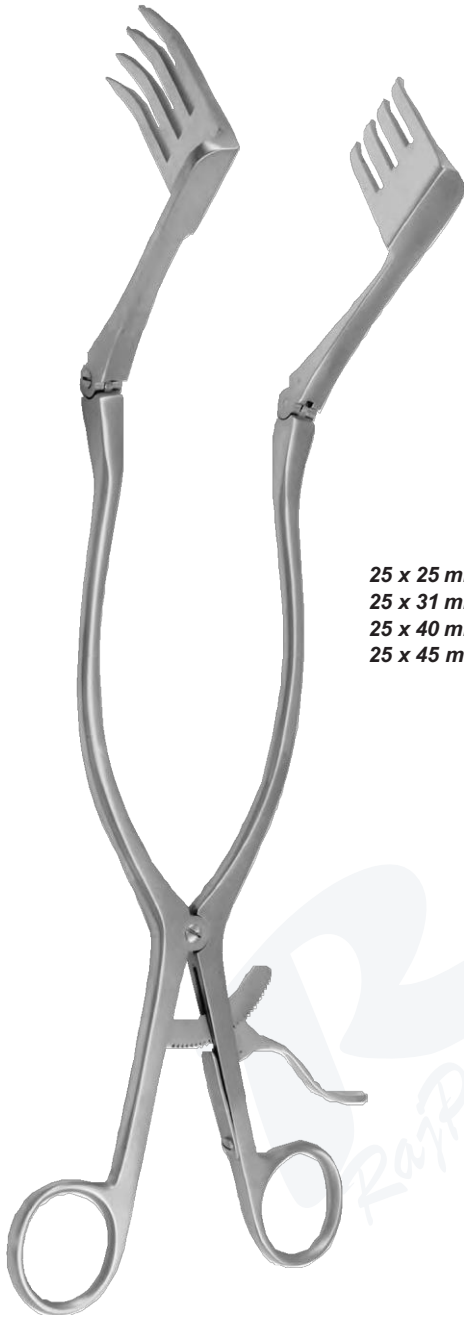


**GELPI-LOKTITE**  
 18.0 cm, 7½"  
 RMC-1947-19





**Self-Retaining Retractors**  
**Separadores con retenida automática**  
**Divaricatori autostatici**  
**Wundspreizer**



**BECKMANN ADSON**

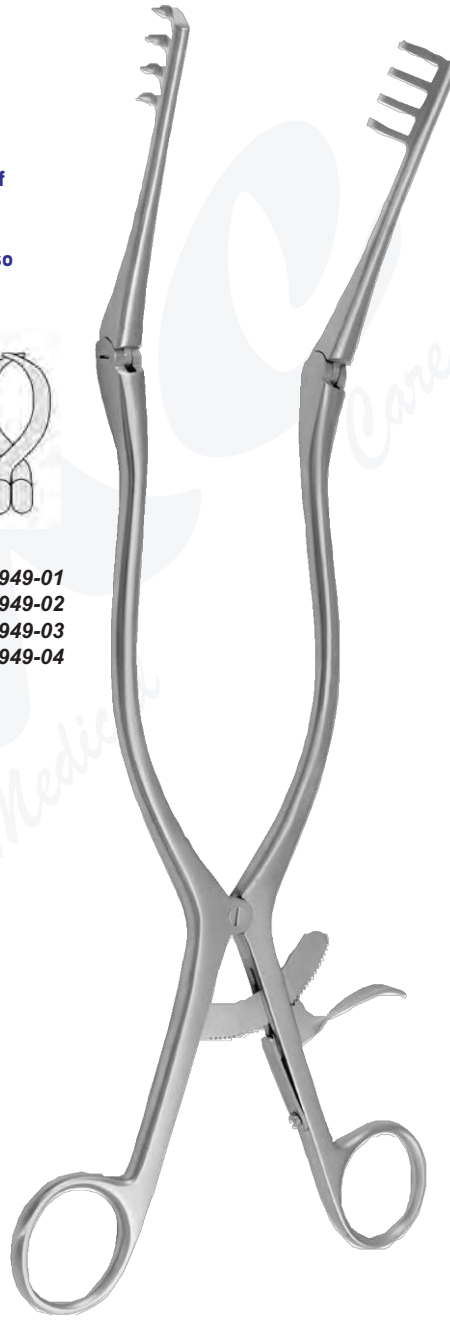
31.0 cm, 12 1/4"

scharf  
sharp  
agudos  
acuti

stumpf  
blunt  
romo  
smusso



- |            |             |             |
|------------|-------------|-------------|
| 25 x 25 mm | RMC-1948-01 | RMC-1949-01 |
| 25 x 31 mm | RMC-1948-02 | RMC-1949-02 |
| 25 x 40 mm | RMC-1948-03 | RMC-1949-03 |
| 25 x 45 mm | RMC-1948-04 | RMC-1949-04 |



**BECKMANN**

31.0 cm, 12 1/4"

scharf  
sharp  
agudos  
acuti



RMC-1950-31

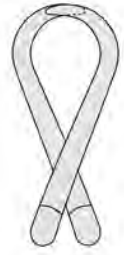


**Self-Retaining Retractors**  
**Separadores con retenida automática**  
**Divaricatori autostatici**  
**Wundspreizer**



**BECKMANN**  
32.0 cm, 12½"

stumpf  
blunt  
romo  
smusso



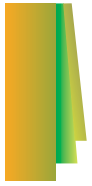
**RMC-1951-32**



**DE BAKEY**

10.0 cm, 4"      **RMC-1952-10**  
14.0 cm, 5½"      **RMC-1952-14**





**Self-Retaining Retractors**  
**Separadores con retenida automática**  
**Divaricatori autostatici**  
**Wundspreizer**



**NORFOLK AND NORWICH**  
22.0 cm, 8 5/8"

stumpf  
blunt  
romo  
smusso



**RMC-1953-22**



**JACKSON BURROWS**  
17.5 cm, 7"

stumpf  
blunt  
romo  
smusso



**RMC-1954-17**



**RICHTER**  
17.0 cm, 6 3/4"  
**RMC-1955-17**



**JOLL (FRIEDMAN)**  
15.5 cm, 6"  
**RMC-1956-15**





**Self-Retaining Retractors**  
**Separadores con retenida automática**  
**Divaricatori autostatici**  
**Wundspreizer**

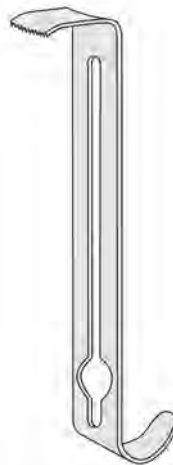
**HENLEY**  
**RMC-1960**

scharf  
 sharp  
 agudos  
 acuti

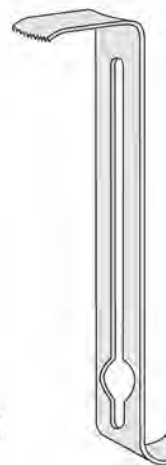
complete, consisting of:  
 1 Spreader with lateral valves, sharp  
 1 Central valve 19 x 16 mm  
 1 Central valve 25 x 16 mm  
 1 Central valve 32 x 16 mm



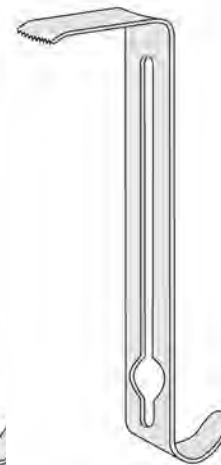
**HENLEY**  
 16.0 cm, 6¼"  
 RMC-1957-16



19 x 16 mm  
 RMC-1958-01



25 x 16 mm  
 RMC-1958-02



32 x 16 mm  
 RMC-1958-03

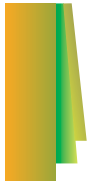
stumpf  
 blunt  
 romo  
 smusso

**HENLEY**  
**RMC-1961**

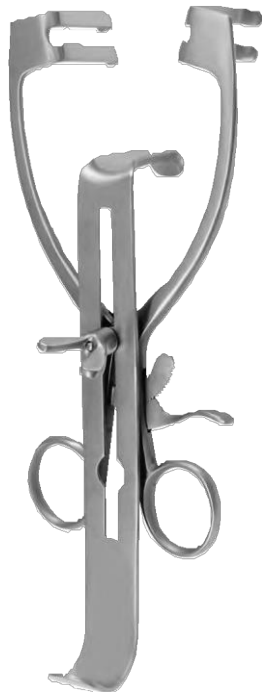
complete, consisting of:  
 1 Spreader with lateral valves, blunt  
 1 Central valve 19 x 16 mm  
 1 Central valve 25 x 16 mm  
 1 Central valve 32 x 16 mm



**HENLEY**  
 16.0 cm, 6¼"  
 RMC-1959-16



**Self-Retaining Retractors, Abdominal Retractors**  
**Separadores con retenida automática, Separadores abdominales**  
**Divaricatori autostatici, Divaricatori addominali**  
**Wundspreizer, Bauchdeckenhalter**



**MAYO-ADAMS**  
 17.0 cm, 6 3/4"  
 RMC-1962-17



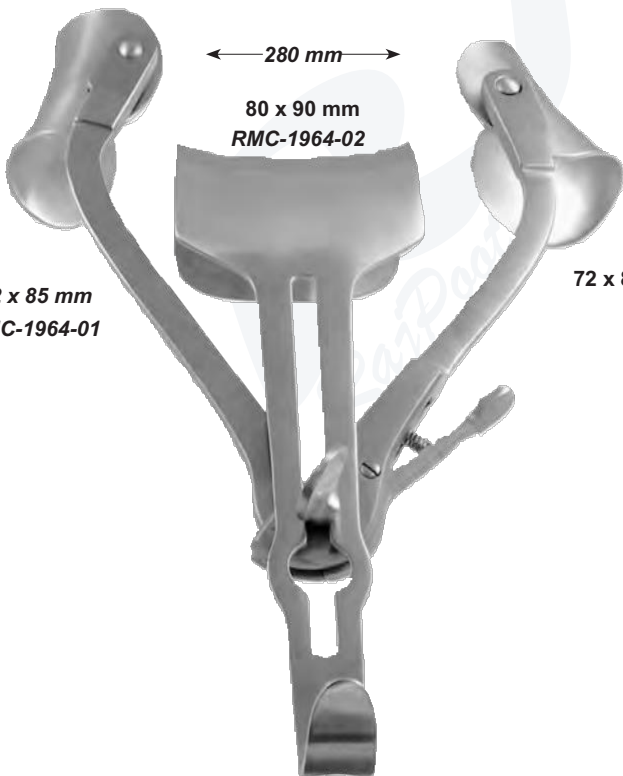
**COLLIN-BABY**  
 18.0 cm, 7"  
 RMC-1963-18

30 x 44 mm  
 RMC-1963-01

Wechselvalven  
 Exchangeable blades  
 Valvas intergambiabili  
 Valve intercambiabili



23 x 44 mm  
 RMC-1963-02

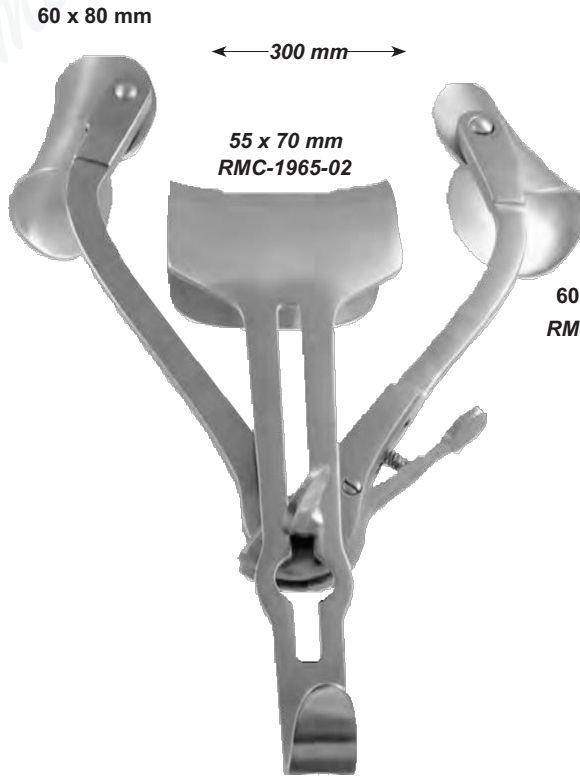


**RICARD**  
 28.0 cm, 11"  
 RMC-1964-28

72 x 85 mm  
 RMC-1964-01

80 x 90 mm  
 RMC-1964-02

72 x 85 mm

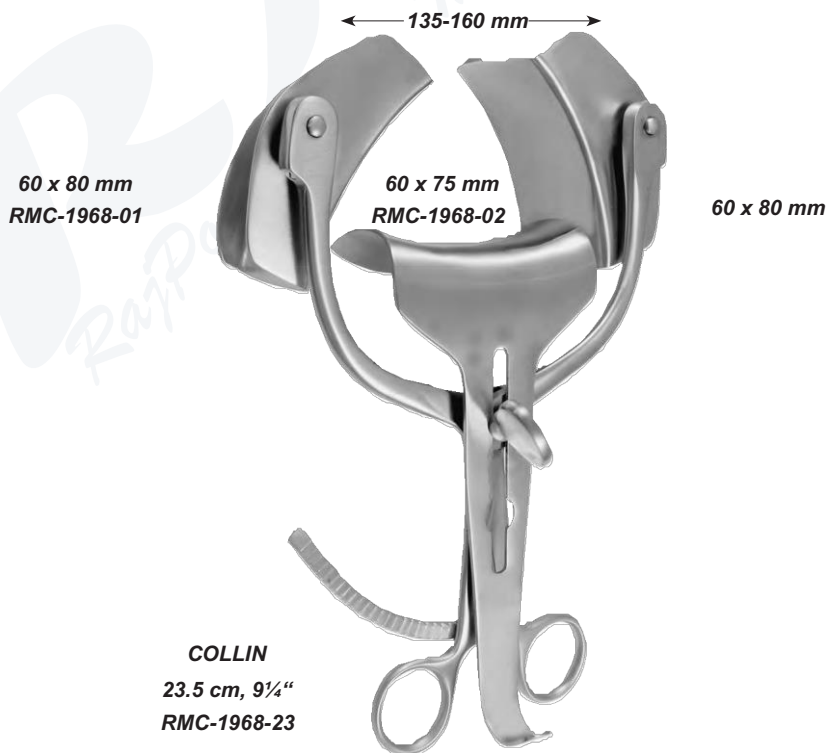
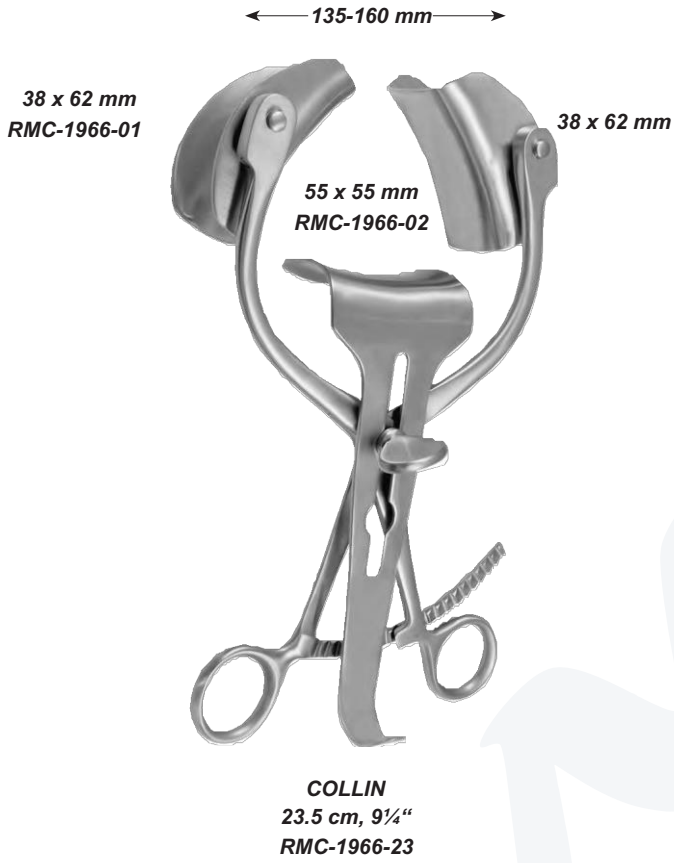
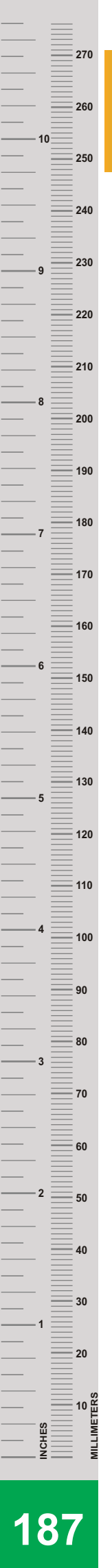


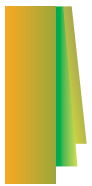
**RICARD**  
 30.0 cm, 12"  
 RMC-1965-30

60 x 80 mm  
 RMC-1965-01

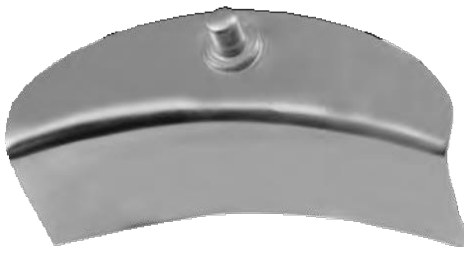
55 x 70 mm  
 RMC-1965-02







**Self-Retaining Retractors, Abdominal Retractors**  
**Wundspreizer, Bauchdeckenhalter**  
**Separadores con retenida automática, Separadores abdominales**  
**Divaricatori autostatici, Divaricatori addominali**



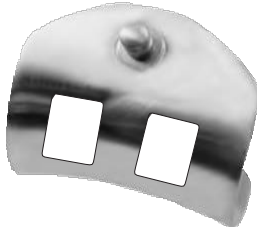
38 x 62 mm RMC-1969-01  
40 x 80 mm RMC-1969-02  
60 x 80 mm RMC-1969-03



50 x 58 mm RMC-1970-10  
60 x 80 mm RMC-1970-13  
72 x 85 mm RMC-1970-14



60 x 80 mm  
RMC-1971-23



60 x 80 mm  
RMC-1972-33



58 x 50 mm RMC-1973-01  
80 x 60 mm RMC-1973-02  
85 x 72 mm RMC-1973-03



62 x 38 mm RMC-1974-10  
80 x 38 mm RMC-1974-11  
100 x 38 mm RMC-1974-12  
80 x 38 mm RMC-1974-13



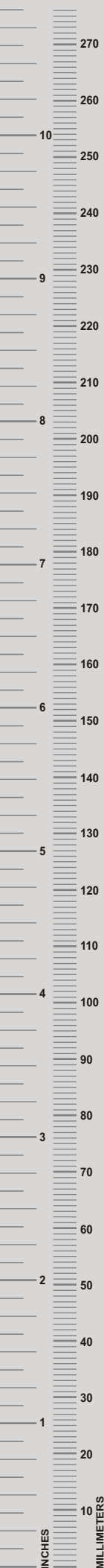
**COLLIN**

55 x 55 mm RMC-1975-01  
55 x 65 mm RMC-1975-02  
55 x 75 mm RMC-1975-03

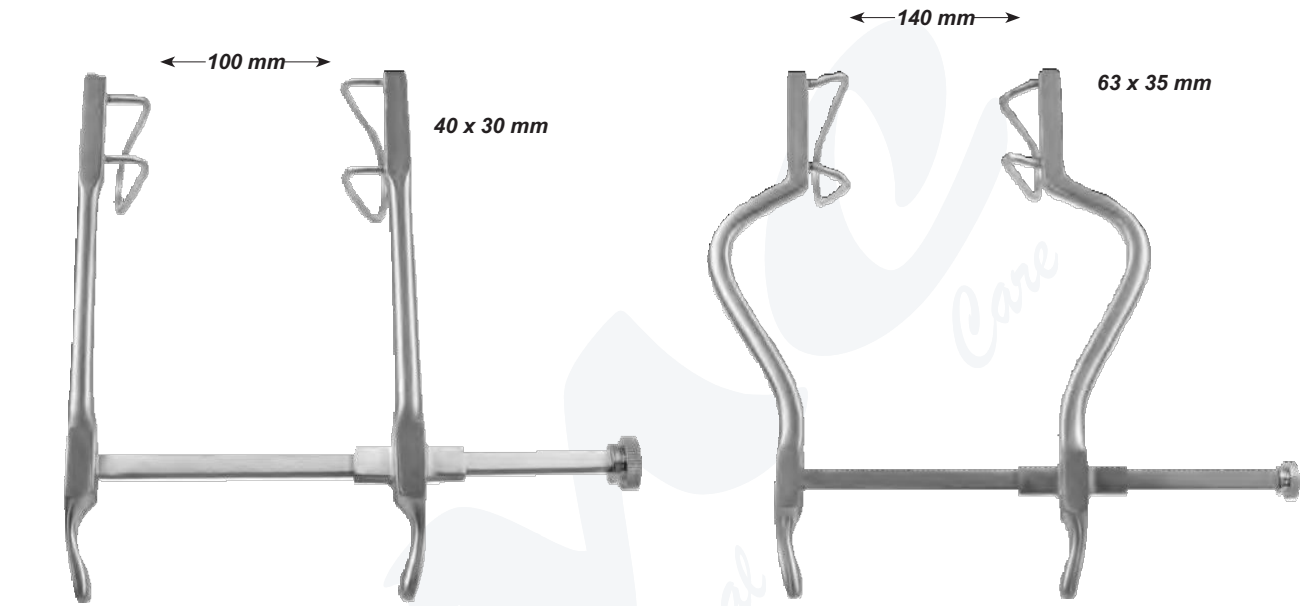


**RICARD**

65 x 50 mm RMC-1976-01  
70 x 55 mm RMC-1976-02  
90 x 80 mm RMC-1976-03

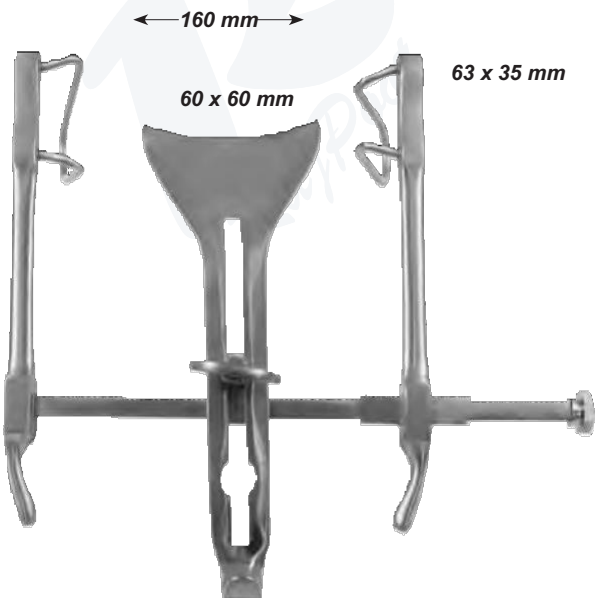


**Abdominal Retractors**  
**Bauchdeckenhalter**  
**Separadores abdominales**  
**Divaricatori ad dominali**

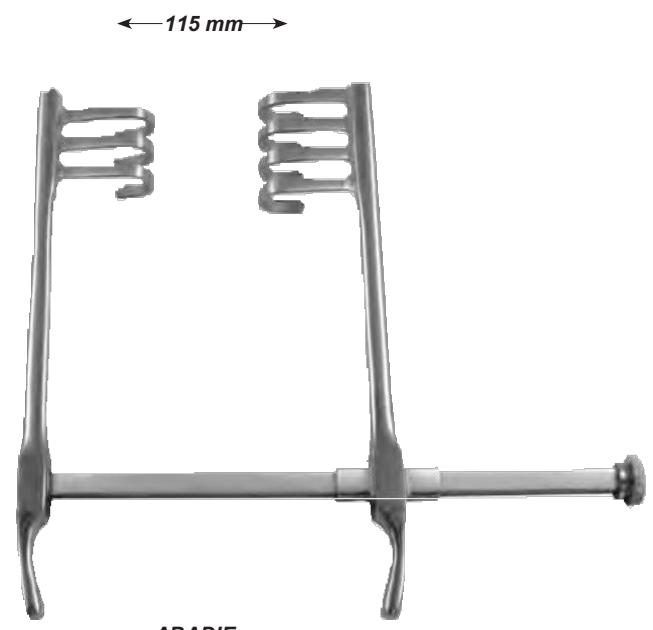


**GOSSET**  
**RMC-1977-10**

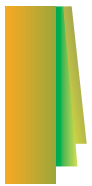
**GOSSET**  
**RMC-1978-10**



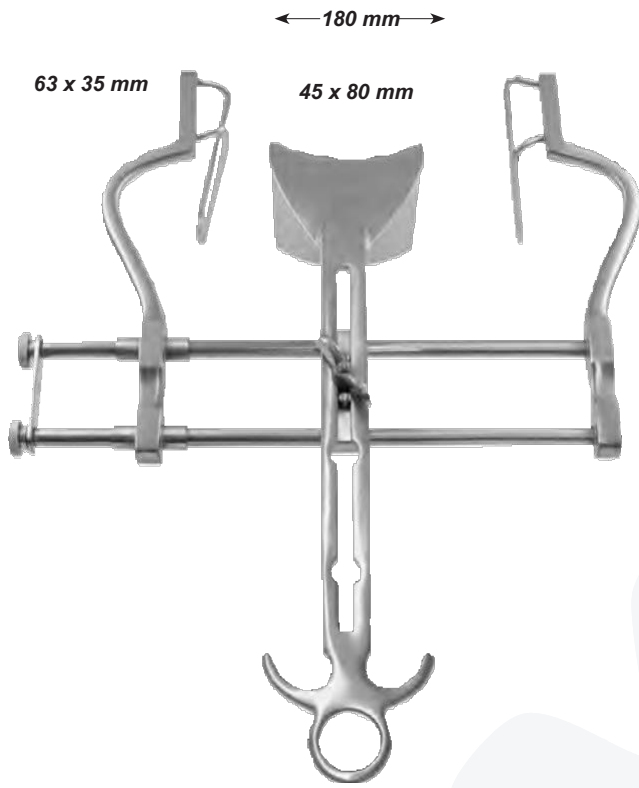
**GOSSET**  
**RMC-1979-10**



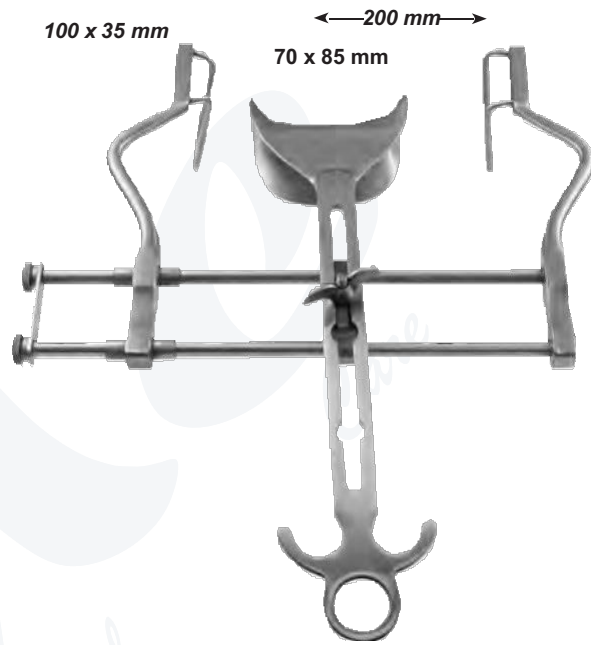
**ABADIE**  
**RMC-1980-10**



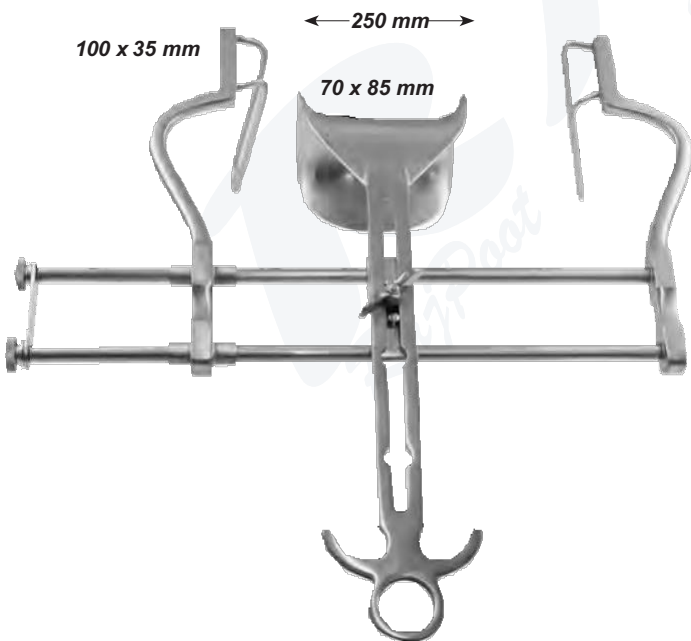
**Abdominal Retractors**  
**Bauchdeckenhalter**  
**Separadores abdominales**  
**Divaricatori ad dominali**



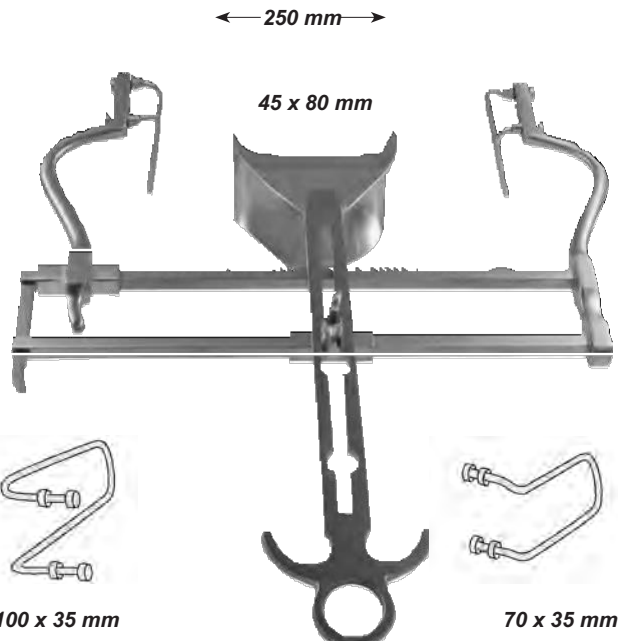
**BALFOUR**  
**RMC-1981-18**



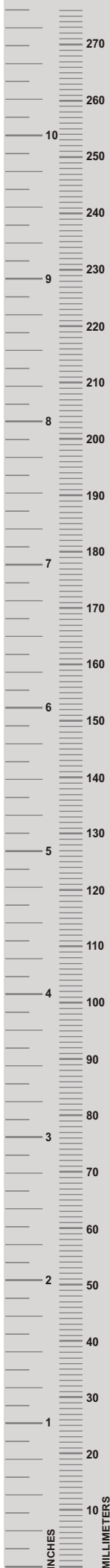
**BALFOUR**  
**RMC-1982-20**



**BALFOUR**  
**RMC-1983-25**

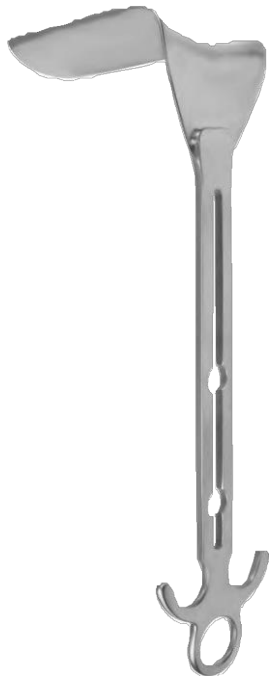


**BALFOUR US-TYPE**  
**RMC-1984-25**

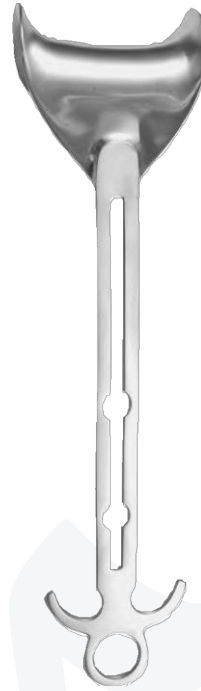




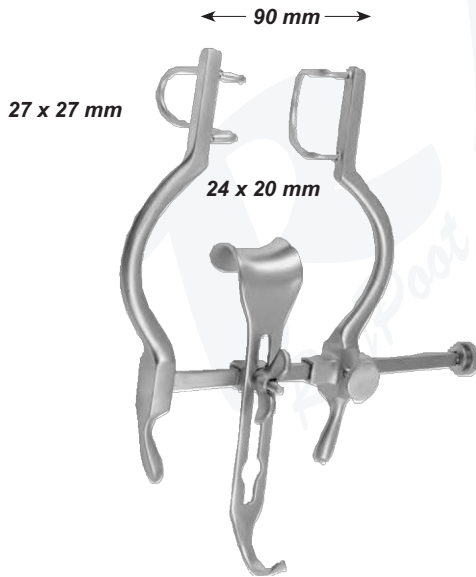
**Abdominal Retractors**  
**Bauchdeckenhalter**  
**Separadores abdominales**  
**Divaricatori ad dominali**



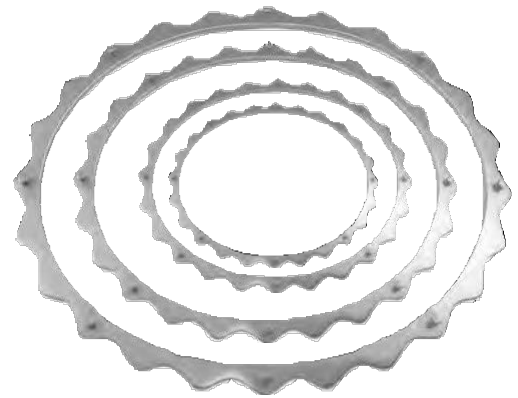
**BALFOUR**  
100 x 70 mm  
RMC-1985-70



**BALFOUR**  
45 x 80 mm RMC-1986-01  
70 x 85 mm RMC-1986-02  
80 x 90 mm RMC-1986-03

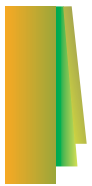


**BALFOUR**  
RMC-1987-09



Ø 180 mm, 7" RMC-1988-18  
Ø 230 mm, 9" RMC-1988-23  
Ø 305 mm, 12" RMC-1988-30  
455 x 330 mm RMC-1988-45

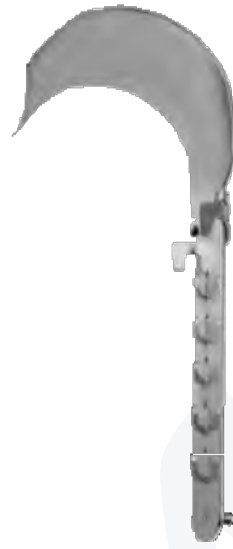




geschwärzt, black finish, negra, nera;



51 x 38 mm  
RMC-1989-01



70 x 60 mm  
RMC-1989-02



114 x 60 mm  
RMC-1989-03



19 x 76 mm  
RMC-1990



57 x 89 mm  
RMC-1992

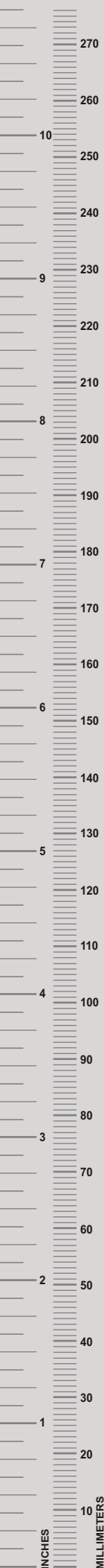
geschwärzt, black finish, negra, nera



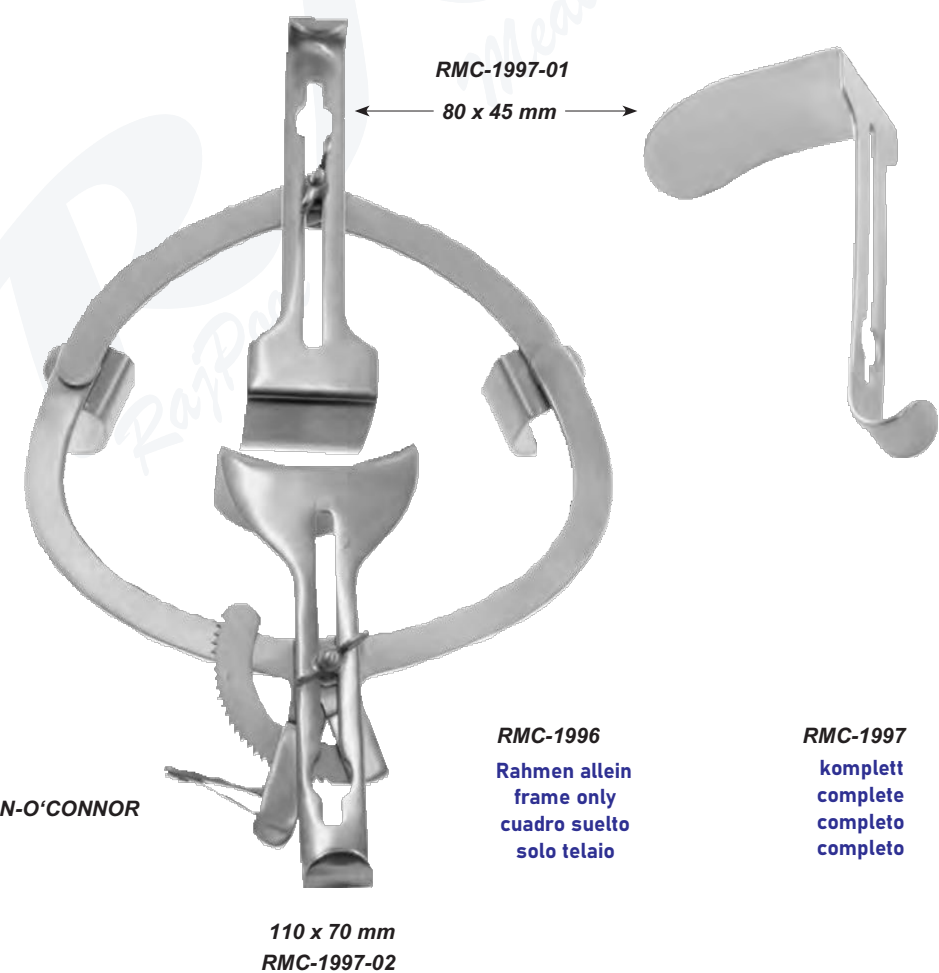
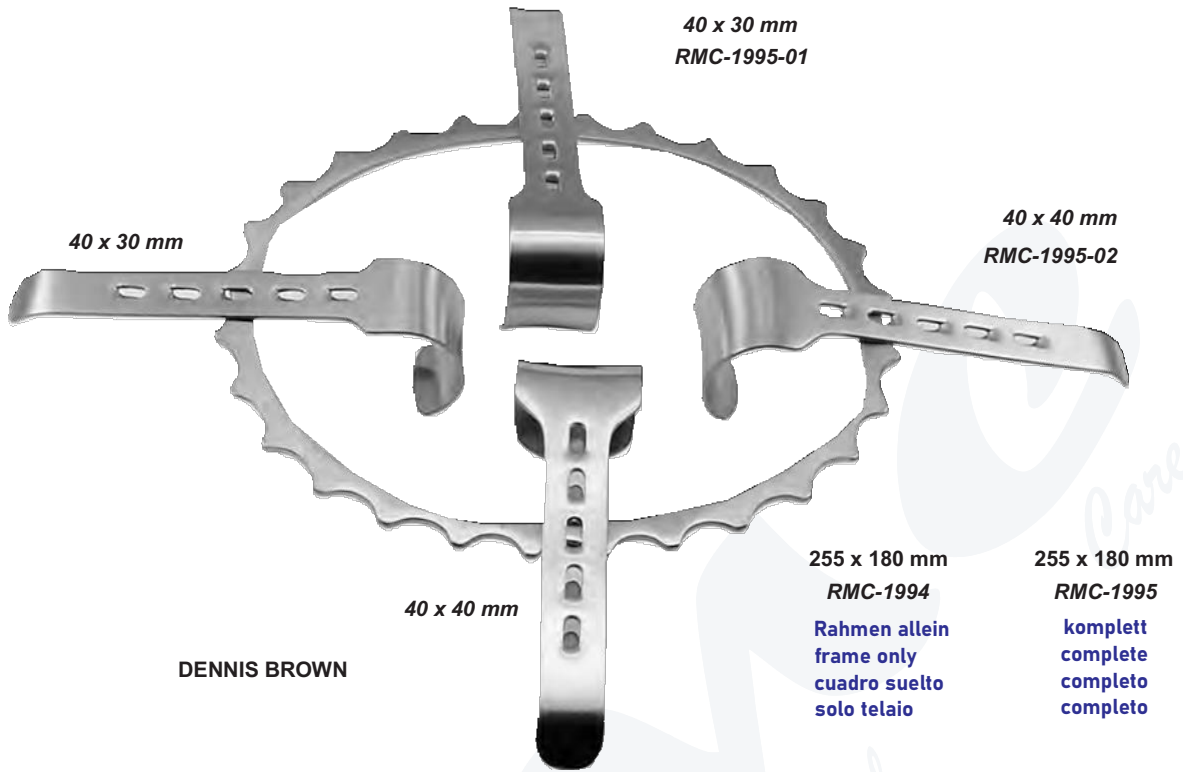
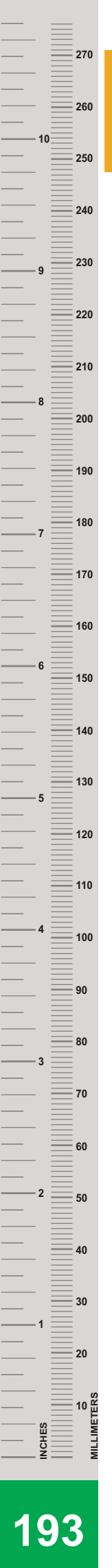
38 x 102 mm  
RMC-1991

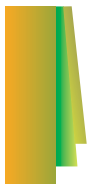


57 x 114 mm  
RMC-1993



**Abdominal Retractors**  
**Bauchdeckenhalter**  
**Separadores abdominales**  
**Divaricatori ad dominali**

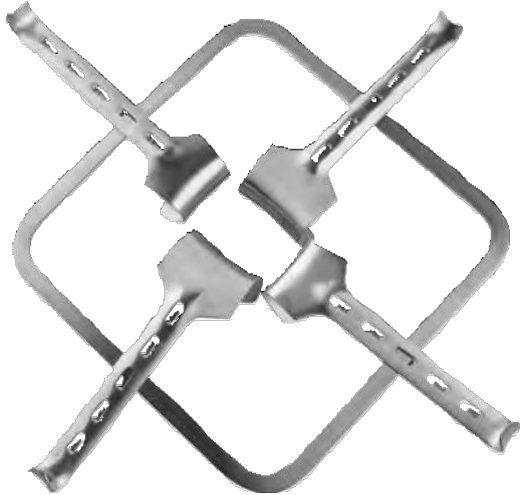




**Abdominal Retractors  
Bauchdeckenhalter  
Separadores abdominales  
Divaricatori ad dominali**

48 x 65 mm  
RMC-1999-04

43 x 55 mm  
RMC-1999-05



43 x 55 mm

48 x 65 mm

KIRSCHNER

250 x 250 mm RMC-1998-01  
300 x 320 mm RMC-1998-02  
300 x 380 mm RMC-1998-03

250 x 250 mm RMC-1999-01  
300 x 320 mm RMC-1999-02  
300 x 380 mm RMC-1999-03

Rahmen allein  
frame only  
cuadro suelto  
solo telaio

komplett  
complete  
completo  
completo

255 x 255 mm RMC-2000-01  
274 x 355 mm RMC-2000-02  
295 x 274 mm RMC-2000-03

zusammenlegbarer Rahmen, allein  
folding frame, only  
cuadro plegable, suelto  
telaio pieghevole, solo



KIRSCHNER

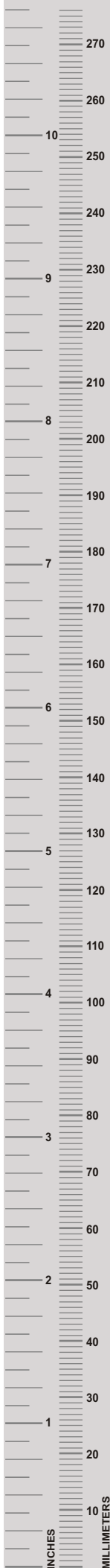
255 x 255 mm RMC-2001-01  
274 x 355 mm RMC-2001-01  
295 x 274 mm RMC-2001-01

komplett  
complete  
completo  
completo



43 x 55 mm RMC-2001-04  
48 x 65 mm RMC-2001-05  
90 x 69 mm RMC-2001-06  
92 x 95 mm RMC-2001-07  
78 x 58 mm RMC-2001-08

KIRSCHNER



**Abdominal Retractors**  
**Bauchdeckenhalter**  
**Separadores abdominales**  
**Divaricatori ad dominali**



**KIRSCHNER**  
60 x 82 mm  
RMC-2002

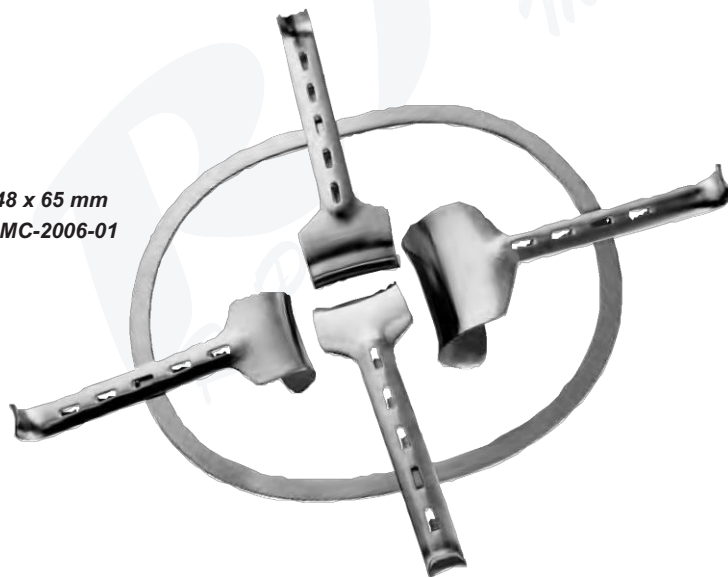


**KIRSCHNER-BALFOUR**  
83 x 82 mm  
RMC-2003



**KIRSCHNER**  
98 x 51 mm RMC-2004-01  
105 x 38 mm RMC-2004-02  
121 x 55 mm RMC-2004-03

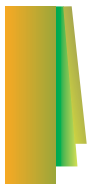
48 x 65 mm  
RMC-2006-01



80 x 90 mm  
RMC-2006-02

300 x 240 mm  
RMC-2005-14  
Rahmen allein  
frame only  
cuadro suelto  
solo telaio

**KIRSCHNER, oval**  
RMC-2006  
komplett  
complete  
completo  
comple to



**Abdominal Retractors**  
**Bauchdeckenhalter**  
**Separadores abdominales**  
**Divaricatori ad dominali**

82 x 97 mm  
RMC-2008-01

47 x 65 mm  
RMC-2008-02

47 x 65 mm

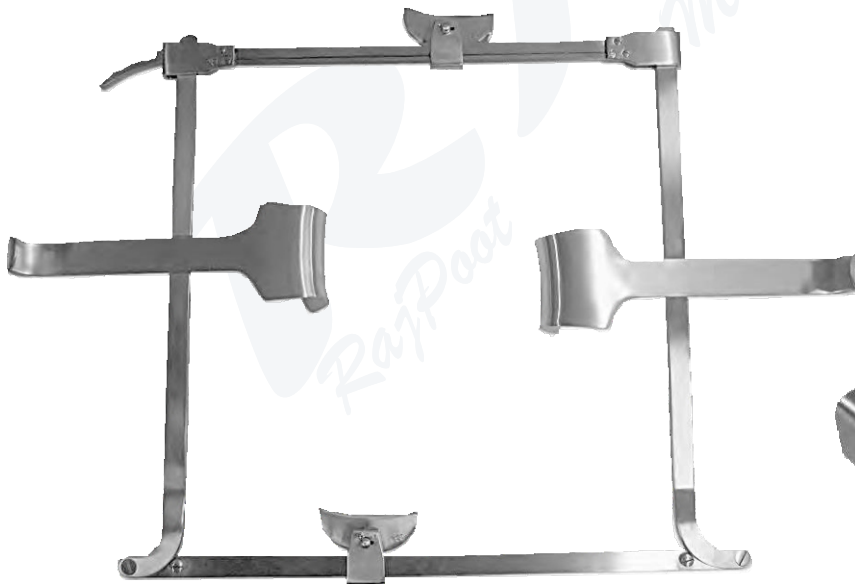
53 x 54 mm  
RMC-2008-03

98 x 52 mm  
RMC-2008-04

105 x 35 mm  
RMC-2008-05

255 x 220 mm  
RMC-2007  
Rahmen allein  
frame only  
cuadro suelto  
solo telaio

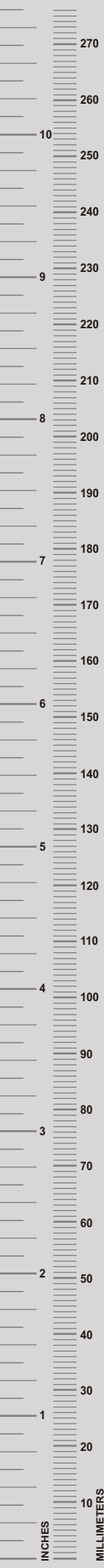
300 x 300 mm  
RMC-2009  
zusammenlegbarer Rahmen, allein  
folding frame, only  
cuadro plegable, suelto  
telaio pieghevole, solo



FRANZ  
RMC-2010  
komplett  
complete  
completo  
completo

38 x 60 mm RMC-2010-01  
40 x 82 mm RMC-2010-02

46 x 57 mm RMC-2010-03  
48 x 90 mm RMC-2010-04



**Abdominal Retractors**  
**Bauchdeckenhalter**  
**Separadores abdominales**  
**Divaricatori ad dominali**



**Mounting Frame**  
**RMC-2011**



**DOYEN**  
**28.0 cm, 11"**

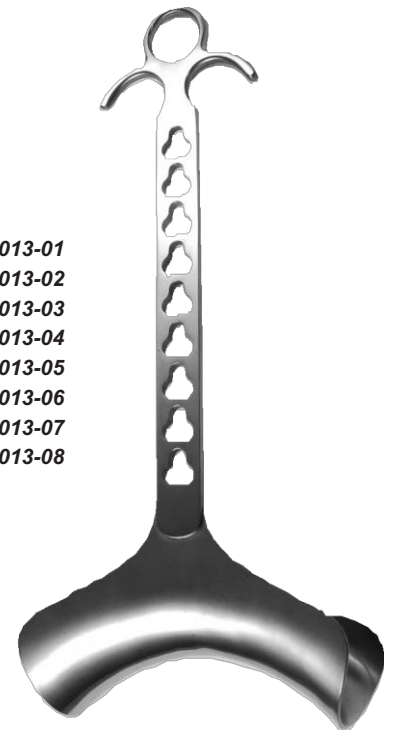
- 95 x 60 mm RMC-2012-01
- 105 x 65 mm RMC-2012-02
- 115 x 65 mm RMC-2012-03
- 125 x 65 mm RMC-2012-04

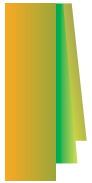


**ROCHARD**  
**RMC-2011-00**

**Befestigungsgestell**  
**Mounting frame**  
**Bastidor para la fijación**  
**Telaio di supporto per il fissaggio**

- 31.0 cm, 12" RMC-2013-01
- 53.0 cm, 21" RMC-2013-02
- 66.0 cm, 26" RMC-2013-03
- 95 x 48 mm RMC-2013-04
- 105 x 48 mm RMC-2013-05
- 115 x 48 mm RMC-2013-06
- 125 x 48 mm RMC-2013-07
- 155 x 48 mm RMC-2013-08





**Abdominal Retractors**  
**Bauchdeckenhalter**  
**Separadores abdominales**  
**Divaricatori ad dominali**



biegsam  
malleable  
maleable  
malleabile

- 200 x 6 mm RMC-2014-01
- 200 x 12 mm RMC-2014-02
- 200 x 17 mm RMC-2014-03
- 200 x 20 mm RMC-2014-04
- 200 x 25 mm RMC-2014-05

**RIBBON**



biegsam  
malleable  
maleable  
malleabile

**TUFFIER**  
200 x 25/17 mm  
RMC-2017



biegsam  
malleable  
maleable  
malleabile

- 280 x 25/30 mm RMC-2016-01
- 300 x 37/45 mm RMC-2016-02
- 300 x 40/50 mm RMC-2016-03

**RIBBON**



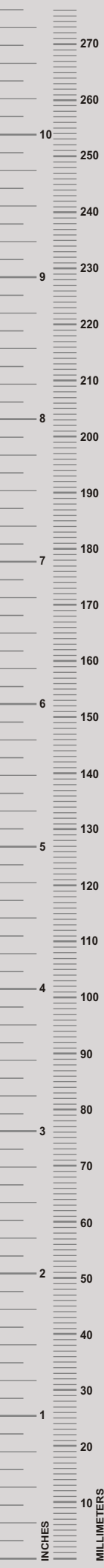
biegsam  
malleable  
maleable  
malleabile

- 330 x 13 mm RMC-2015-01
- 330 x 25 mm RMC-2015-02
- 330 x 32 mm RMC-2015-03
- 330 x 40 mm RMC-2015-04
- 330 x 50 mm RMC-2015-05

**RIBBON**

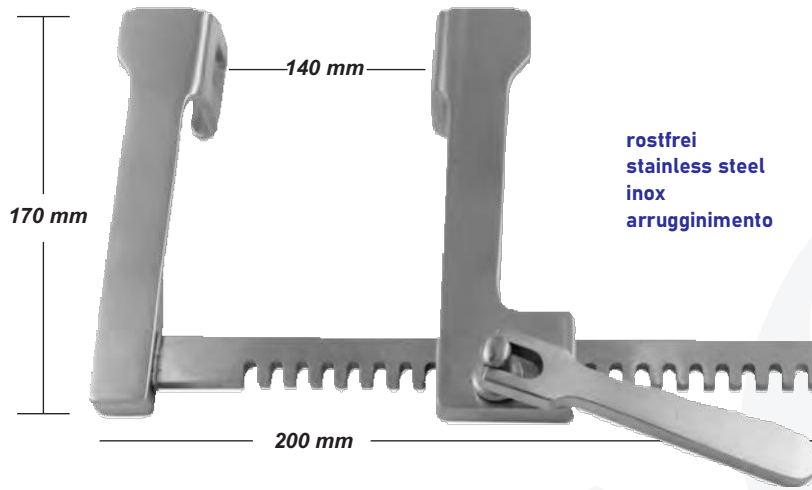


**REVERDIN**  
280 x 45/60 mm  
RMC-2018



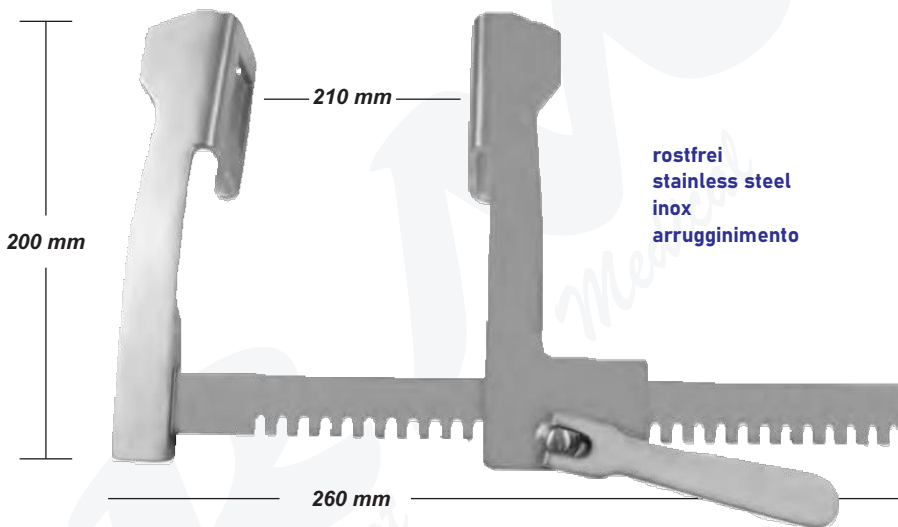


**Rib Spreaders  
Rippensperrer  
Separadores costales  
Divaricatori costali**



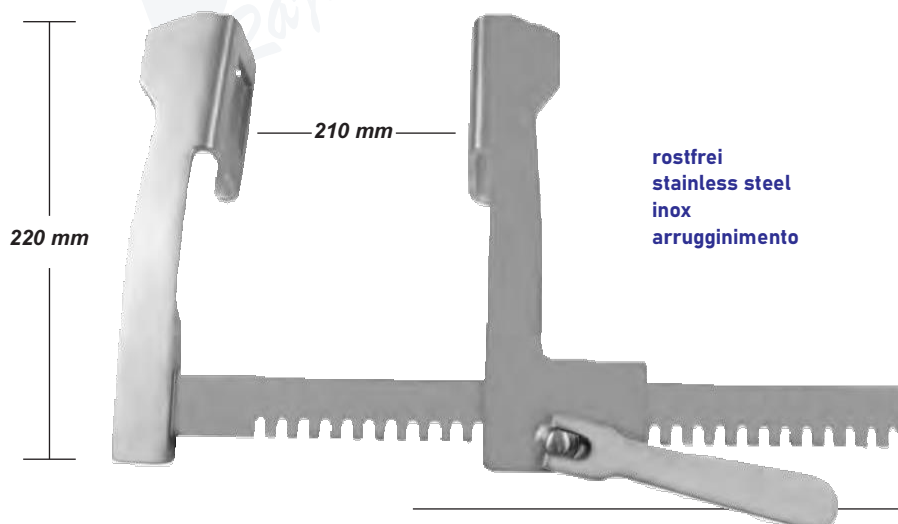
rostfrei  
stainless steel  
inox  
arrugginimento

**FINOCCHIETTO**  
blades 36 x 45 mm  
RMC-2019



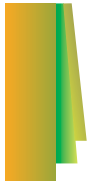
rostfrei  
stainless steel  
inox  
arrugginimento

**FINOCCHIETTO**  
RMC-2020  
blades 44 x 65 mm



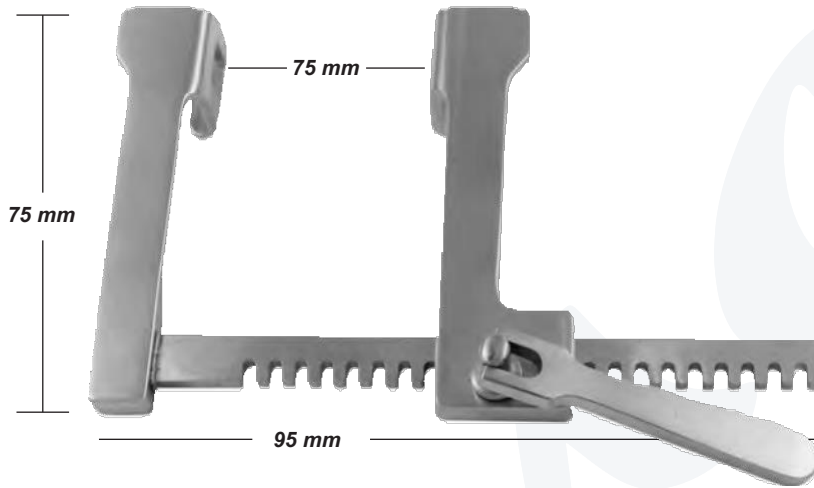
rostfrei  
stainless steel  
inox  
arrugginimento

**FINOCCHIETTO**  
RMC-2021  
blades 65 x 65 mm



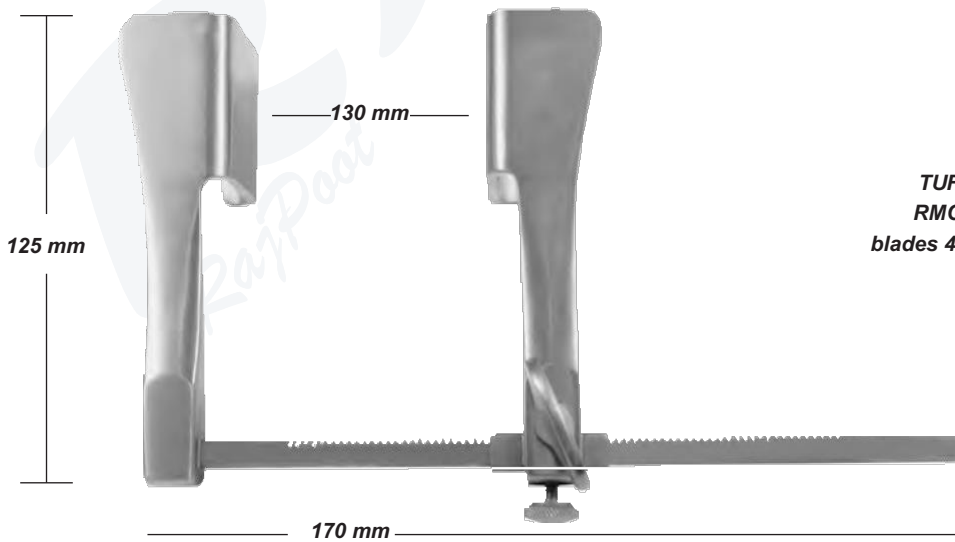
**Rib Spreaders**  
**Rippensperrer**  
**Separadores costales**  
**Divaricatori costali**

rostfrei  
stainless steel  
inox  
arrugginimento



**FINOCCHIETTO-BABY**  
blades 18 x 21 mm  
RMC-2022

rostfrei  
stainless steel  
inox  
arrugginimento



**TUFFIER**  
RMC-2023  
blades 43 x 53 mm

